

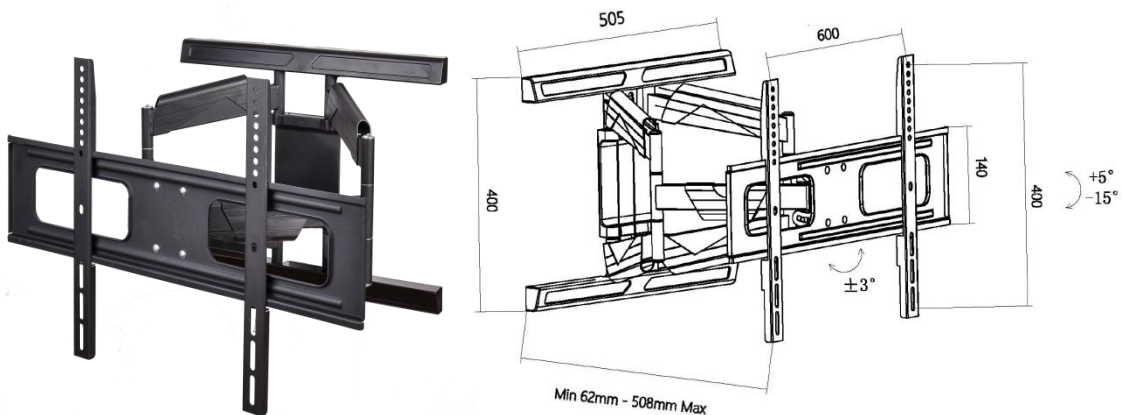
# APOLLO

## DESERT SERIES

### Weatherproof outdoor TV cabinets

### Model AWM407 - Full motion mount

| SPECIFICATIONS   |   |
|--|---|
| <i>Designed for outdoor installation with weatherproof construction and stainless steel hardware</i> |   |
| Description  | Weather resistant dual arm, full motion, tilting wall mount - black |
| Suitable for TV sizes  | 39" to 75"  |
| Tilt   | Adjustable from -15° to +5°   |
| Maximum load   | 80 kg   |



#### Installing the Apollo mount

**NOTE:** We recommend that your mount be installed by a qualified professional. We accept no liability for damages caused by incorrect assembly, installation or use.

#### WARNING

- Always refer to the installation instructions included with your mount
- Make sure that the supporting surface will safely support the combined weight of the load of the equipment (cabinet and TV) and all attached hardware components
- Make sure to use proper mounting hardware and that all mounting hardware is securely fastened