

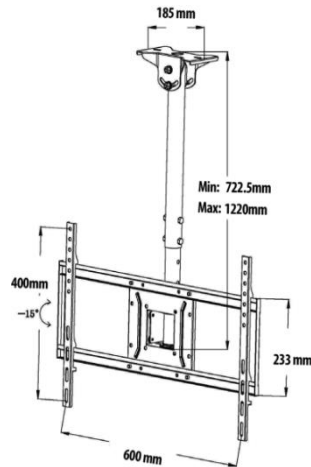
APOLLO

DESERT SERIES

Weatherproof outdoor TV cabinets

Model CM708 - Ceiling/Hanging mount

SPECIFICATIONS	
<i>Designed for outdoor installation with weatherproof construction and stainless steel hardware</i>	
Description	Weather resistant adjustable height, tilting and swivel ceiling mount with ceiling plate - black
Suitable for TV sizes	39" to 65"
Tilt	Adjustable from 0° to +15°
Maximum load	70 kg



Installing the Apollo mount

NOTE: We recommend that your mount be installed by a qualified professional. We accept no liability for damages caused by incorrect assembly, installation or use.

WARNING

- Always refer to the installation instructions included with your mount
- Make sure that the supporting surface will safely support the combined weight of the load of the equipment (cabinet and TV) and all attached hardware components
- Make sure to use proper mounting hardware and that all mounting hardware is securely fastened