

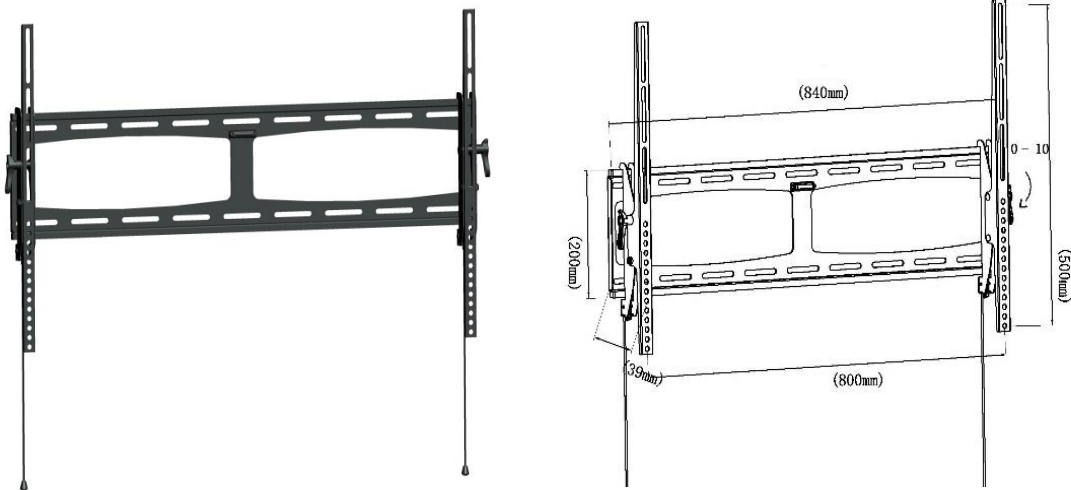


## DESERT SERIES

### Weatherproof outdoor TV cabinets

### Model WM607NA - Flat/tilting mount

SPECIFICATIONS	
<i>Designed for outdoor installation with weatherproof construction and stainless steel hardware</i>	
Description	Weather resistant flat/tilt wall mount - black
Suitable for TV sizes	39" to 75", 98" (two mounts required for 98")
Tilt	Adjustable from 0° to +10°
Maximum load	90 kg



#### Installing the Apollo mount

**NOTE:** We recommend that your mount be installed by a qualified professional. We accept no liability for damages caused by incorrect assembly, installation or use.

#### WARNING

- Always refer to the installation instructions included with your mount
- Make sure that the supporting surface will safely support the combined weight of the load of the equipment (cabinet and TV) and all attached hardware components
- Make sure to use proper mounting hardware and that all mounting hardware is securely fastened