

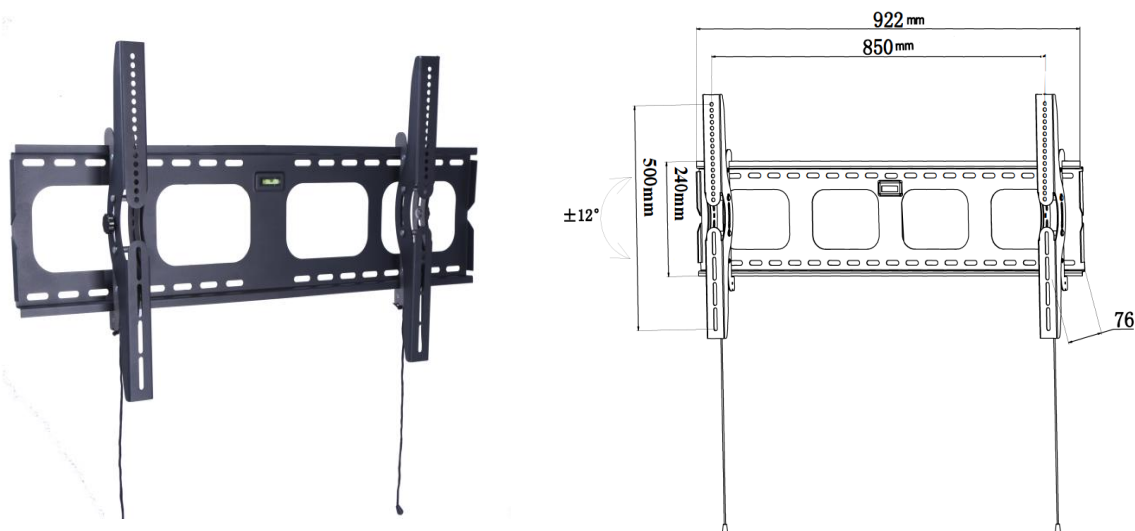
# APOLLO

## DESERT SERIES

### Weatherproof outdoor TV cabinets

#### Model WM808NA - Heavy duty flat/tilting mount

SPECIFICATIONS	
<i>Designed for outdoor installation with weatherproof construction and stainless steel hardware</i>	
Description	Weather resistant flat/tilt wall mount - black
Suitable for TV Size	86"
Tilt	Adjustable from -12° to +12°
Maximum load	115 kg



#### Installing the Apollo mount

**NOTE:** We recommend that your mount be installed by a qualified professional. We accept no liability for damages caused by incorrect assembly, installation or use.

#### WARNING

- Always refer to the installation instructions included with your mount
- Make sure that the supporting surface will safely support the combined weight of the load of the equipment (cabinet and TV) and all attached hardware components
- Make sure to use proper mounting hardware and that all mounting hardware is securely fastened